



陕西赛德自动化设备制造有限公司

---



VNSLQ

T0=293.15K

P0=101.325kPa

05-2002 VNSLQ

JB/T7385-94

Q/ZCY

RS-485

IC

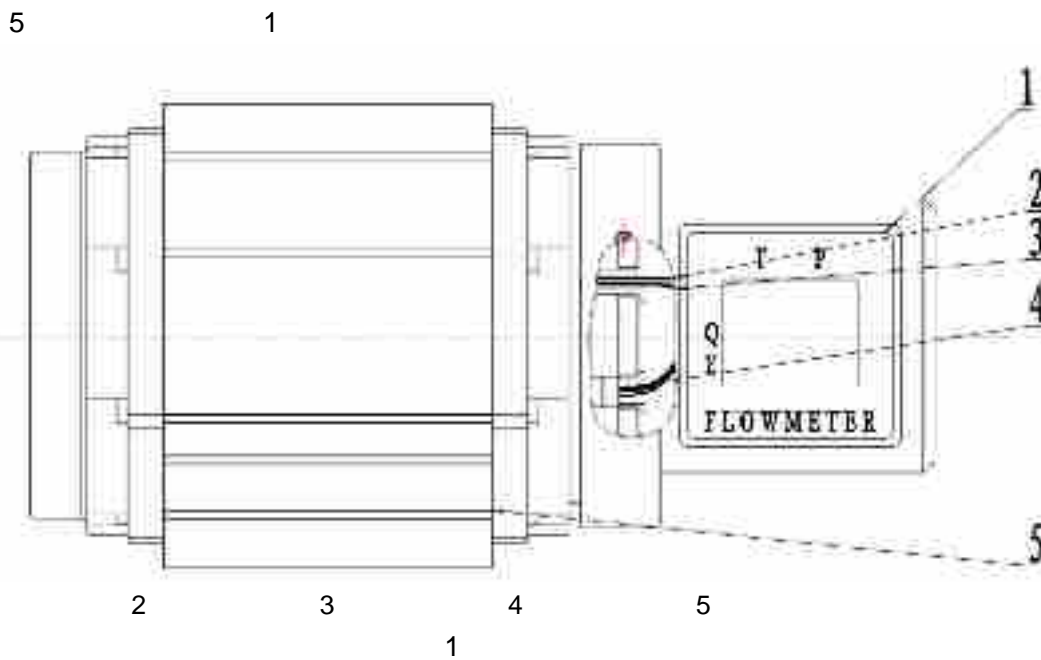
GPRS/CDMA internet

2#3.6VDC

ExibIICT4

IP65

3.1

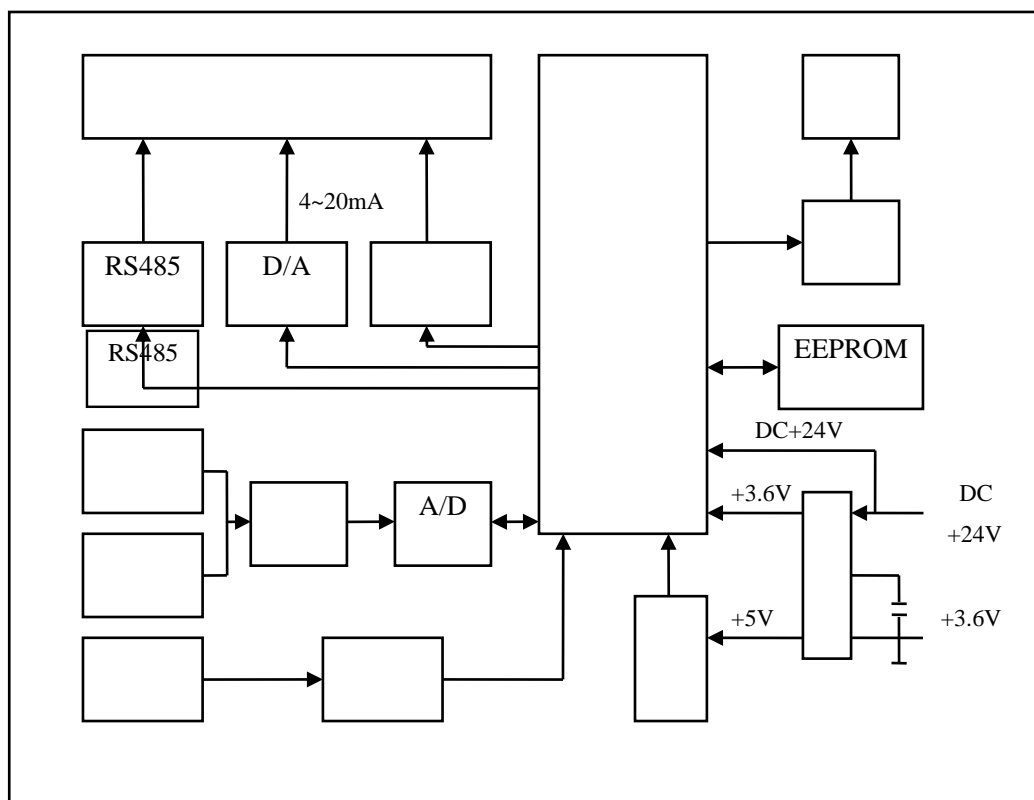


3.2

P P

2





3

**3.4**

		— JB/T7385-94									
		25	40	50	65	80	100	125	150	200	250
		±1.5%R		±1%R		*					
		-10		+60		-30		~+60			
		5%		90%		86		106KPa			
	A.	+24VDC±15%		±5%		4-20mA		RS485			
	B.	1		3.6VDC		2.0					
	A.	1W									
	B.	1W									
		4 ~ 20mA					IC				
		RS485									
		M20×1.5									
		ExibIICT4									
		IP65									

## 3.5

(mm)	-----	m3/h	m3/h	Pa	Mpa	-----	-----	-----
<b>DN25</b>	VNSLQ-16	0.03	16	120	1.0/1.6	1.5/1.0	20:1	
<b>DN40</b>	VNSLQ-20	0.05	20	130	1.0/1.6	1.5/1.0	20:1	
	VNSLQ-25	0.05	25	130	1.0/1.6	1.5/1.0	20:1	
	VNSLQ-30	0.05	30	130	1.0/1.6	1.5/1.0	20:1	
	VNSLQ-40	0.07	40	180	1.0/1.6	1.5/1.0	30:1	
	VNSLQ-60	0.08	60	180	1.0/1.6	1.5/1.0	60:1	
<b>DN50</b>	VNSLQ-20	0.05	20	140	1.0/1.6	1.5/1.0	20:1	
	VNSLQ-25	0.05	25	140	1.0/1.6	1.5/1.0	20:1	
	VNSLQ-30	0.05	30	140	1.0/1.6	1.5/1.0	20:1	
	VNSLQ-40	0.07	40	200	1.0/1.6	1.5/1.0	30:1	
	VNSLQ-60	0.08	60	200	1.0/1.6	1.5/1.0	60:1	
	VNSLQ-85	0.08	85	210	1.0/1.6	1.5/1.0	70:1	
<b>DN65</b>	VNSLQ-100	0.1	100	220	1.0/1.6	1.5/1.0	70:1	
	VNSLQ-140	0.1	140	220	1.0/1.6	1.5/1.0	120:1	
<b>DN80</b>	VNSLQ-100	0.1	100	220	1.0/1.6	1.5/1.0	70:1	
	VNSLQ-140	0.1	140	240	1.0/1.6	1.5/1.0	100:1	
	VNSLQ-200	0.1	200	240	1.0/1.6	1.5/1.0	100:1	
<b>DN100</b>	VNSLQ-300	0.18	300	280	1.0/1.6	1.5/1.0	110:1	
	VNSLQ-450	0.18	450	300	1.0/1.6	1.5/1.0	110:1	
<b>DN150</b>	VNSLQ-650	0.5	650	580	1.0/1.6	1.5/1.0	80:1	
	VNSLQ-1000	0.6	1000	600	1.0/1.6	1.5/1.0	80:1	
<b>DN200</b>	VNSLQ-1600	0.8	1600	850	1.0/1.6	1.5/1.0	60:1	
<b>DN250</b>	VNSLQ-3000	2	3000	1050	1.0/1.6	1.5/1.0	40:1	

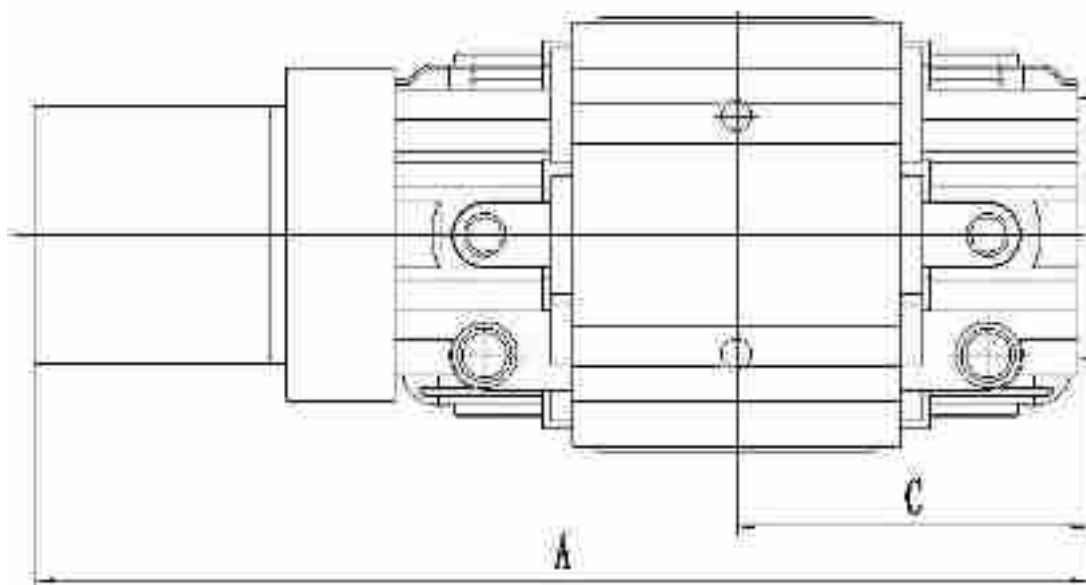
## 3.3

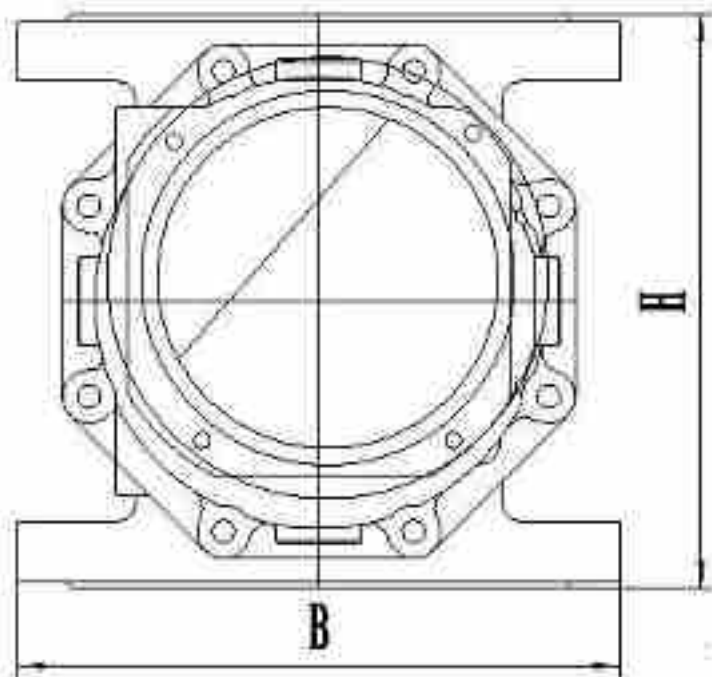
VNSLQ	—	/	/	/	/	
	16					16m <sup>3</sup> /h
	20					20 m <sup>3</sup> /h
	25					25 m <sup>3</sup> /h
	30					30 m <sup>3</sup> /h
	40					40 m <sup>3</sup> /h
	60					60 m <sup>3</sup> /h
	85					85 m <sup>3</sup> /h
	100					100 m <sup>3</sup> /h
	140					140 m <sup>3</sup> /h
	200					200 m <sup>3</sup> /h
	300					300 m <sup>3</sup> /h
	450					450 m <sup>3</sup> /h

	650				650 m <sup>3</sup> /h		
	1000				1000 m <sup>3</sup> /h		
	1600				1600 m <sup>3</sup> /h		
	3000				3000 m <sup>3</sup> /h		
	25				DN25mm		
	40				DN40mm		
	50				DN50mm		
	65				DN65mm		
	80				DN80mm		
	100				DN100mm		
	125				DN125mm		
	150				DN150mm		
	200				DN200mm		
	250				DN250mm		
					N		
					C	IC	
					4-20mA		
					D	IC	485
					P <sub>1</sub>	1.0	
					P <sub>2</sub>	1.5	
					WP <sub>1</sub>	1.0Mpa	
					WP <sub>2</sub>	1.6Mpa	

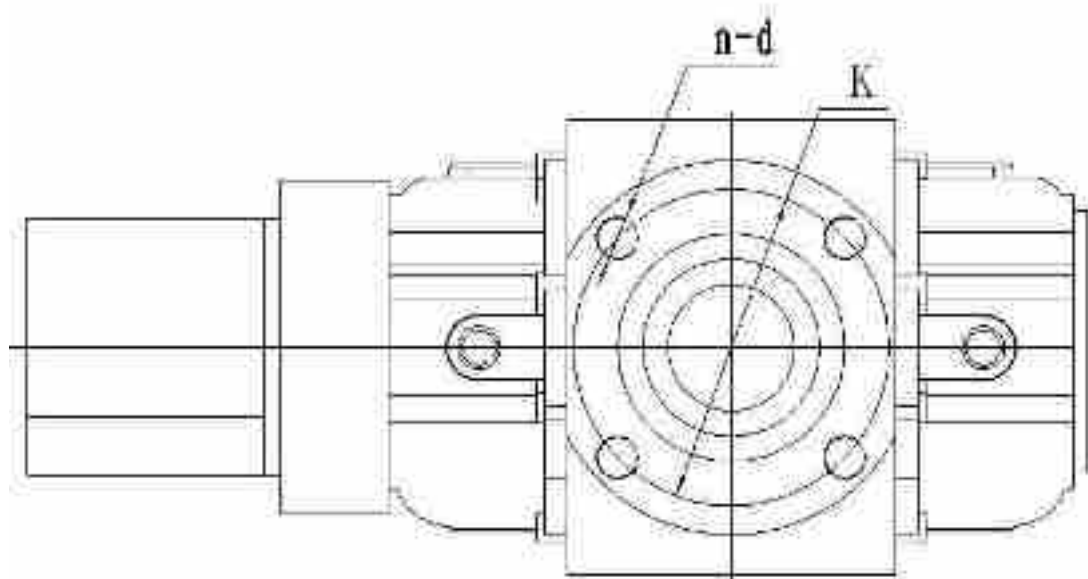
5.1

1-6



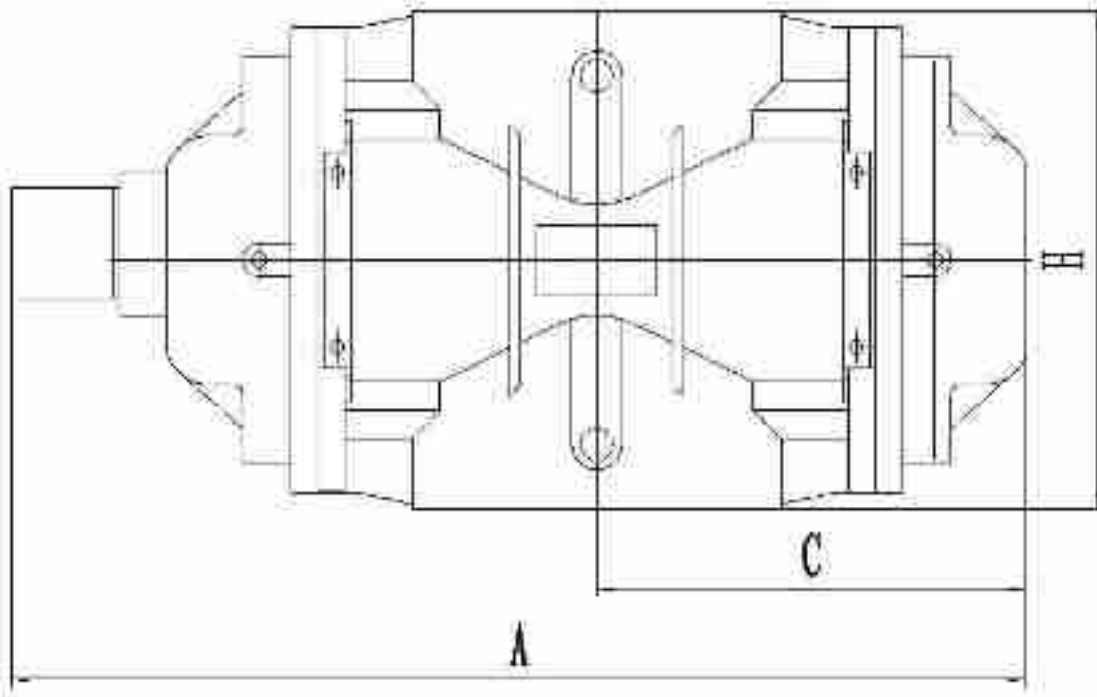


2

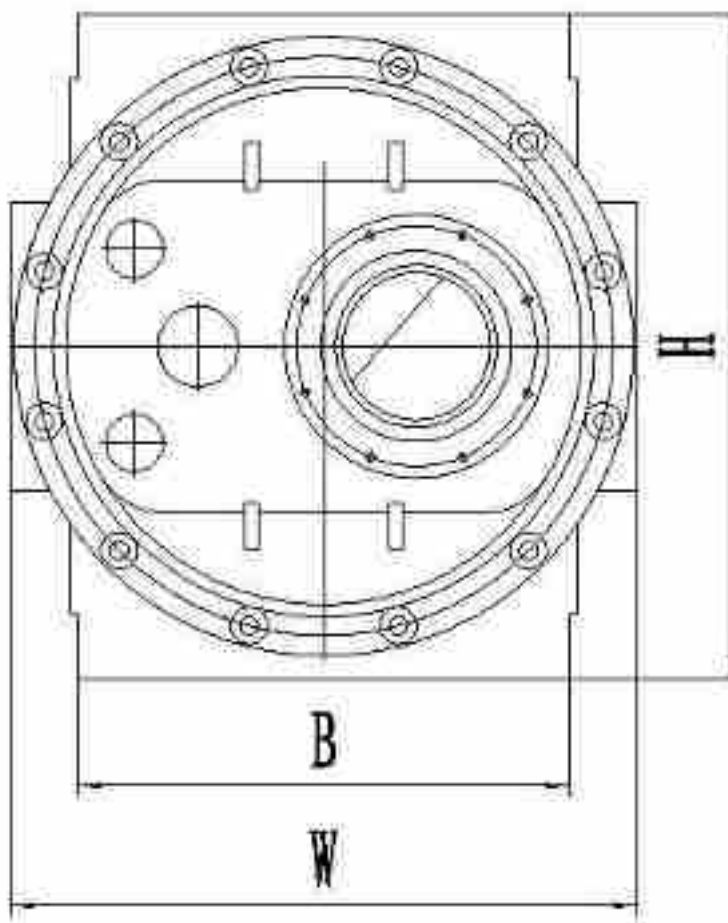


3

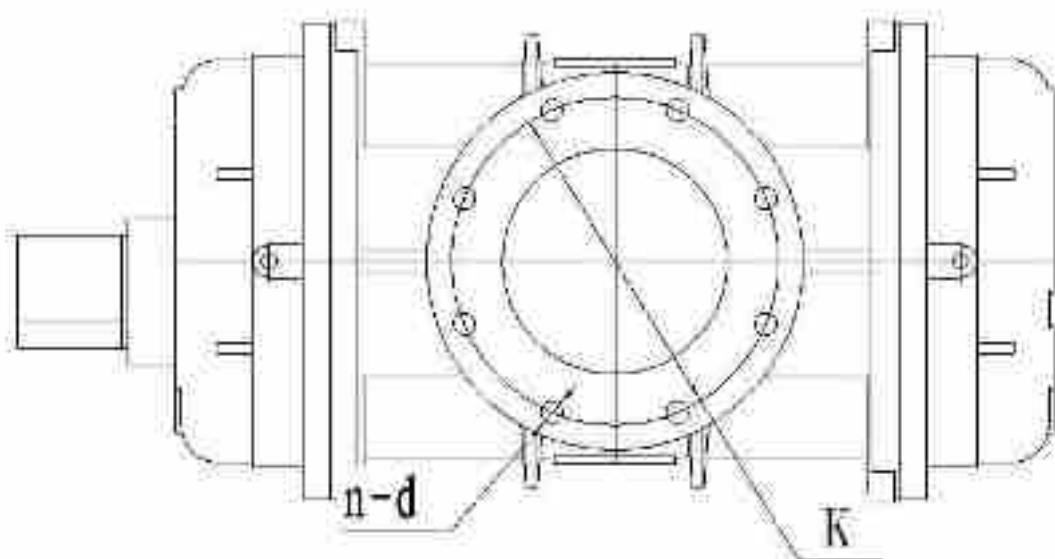




4



5



6

**5.2**

			A	B	C	W	H			
(mm)	-----	-----	(mm)	(mm)	(mm)	(mm)	(mm)	(kg)	K	n-d
<b>DN25</b>	VNSLQ-1 6		307	180	82	—	175	9	85	4-M12
<b>DN40</b>	VNSLQ-2 0		327	180	82	—	175	10	110	4-M16
	VNSLQ-2 5		364	180	108	—	171.5	11	110	4-M16
	VNSLQ-3 0		364	180	108	—	171.5	11	110	4-M16
	VNSLQ-4 0		389	180	120	—	171.5	11	110	4-M16
	VNSLQ-6 0		389	180	120	—	171.5	11	110	4-M16
<b>DN50</b>	VNSLQ-2 0		340	180	100	—	175	11	125	4-M16
	VNSLQ-2 5		364	180	108	—	171.5	11	125	4-M16
	VNSLQ-3 0		364	180	108	—	171.5	11	125	4-M16
	VNSLQ-4 0		389	180	120	—	171.5	11	125	4-M16

	VNSLQ-6 0		413	180	138	—	171.5	11	125	4-M16
	VNSLQ-8 5		450	180	156	—	171.5	13	125	4-M16
<b>DN65</b>	VNSLQ-1 00		481	180	172	—	175	14	145	4-M16
	VNSLQ-1 40		518	180	190	—	175	15	145	4-M16
<b>DN80</b>	VNSLQ-1 00		481	180	172	—	171.5	14	160	8-M16
	VNSLQ-1 40		518	180	190	—	171.5	15	160	8-M16
	VNSLQ-2 00		514	210	187	—	245	25	160	8-M16
<b>DN100</b>	VNSLQ-3 00		594	210	226	—	245	31	180	8-M16
	VNSLQ-4 50		685	210	274	—	245	37	180	8-M16
<b>DN150</b>	VNSLQ-6 50		726	∅285	271	446	460	175	240	8-M20
	VNSLQ-1 000		845	∅285	351	446	460	200	240	8-M20
<b>DN200</b>	VNSLQ-1 600		942	∅285	400	446	460	235	295	12-M20
<b>DN250</b>	VNSLQ-3 000		1130	∅285	480	620	720	600	355	12-M24